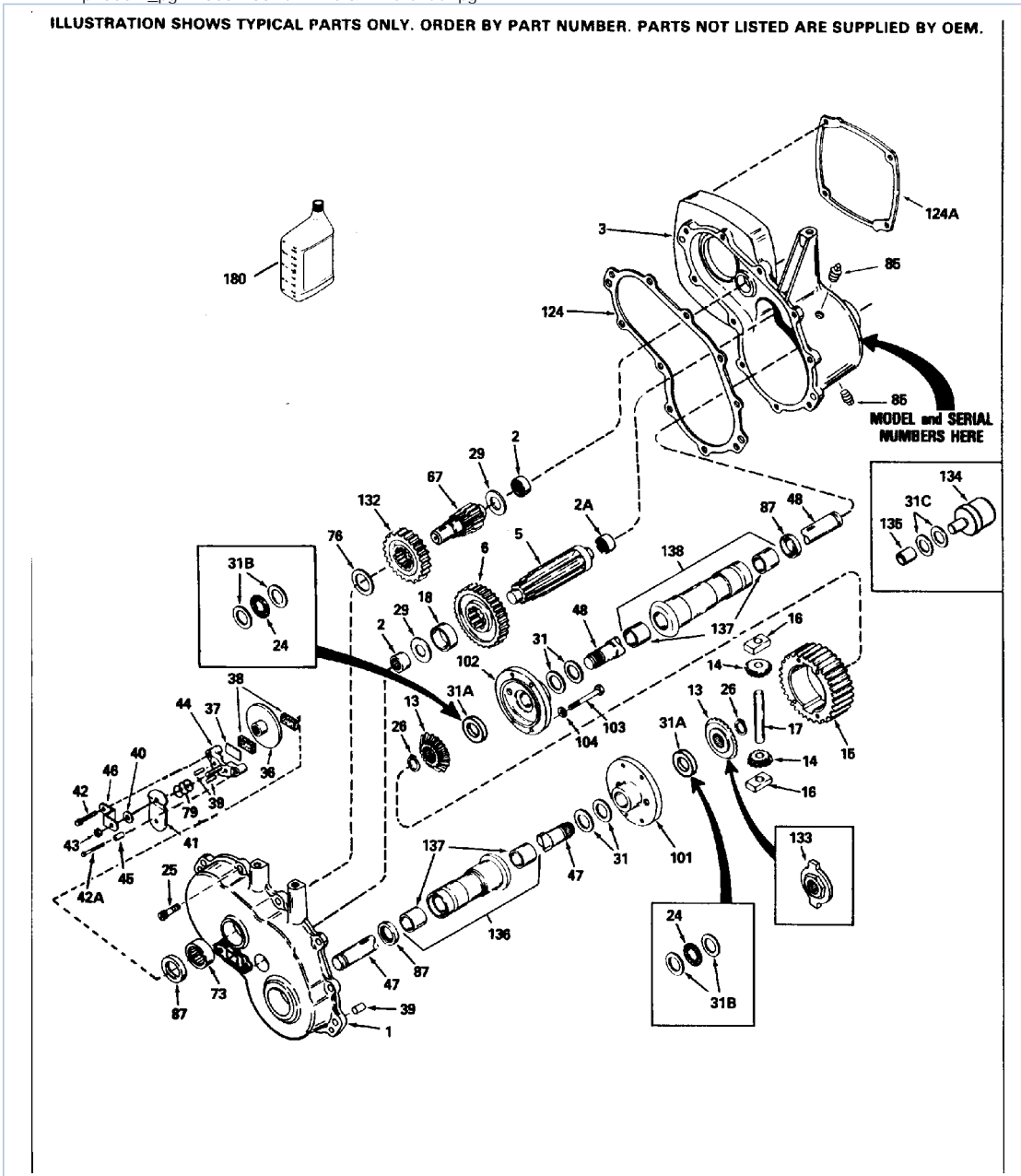


ILLUSTRATION SHOWS TYPICAL PARTS ONLY. ORDER BY PART NUMBER. PARTS NOT LISTED ARE SUPPLIED BY OEM.



## Part List

p1300.2\_pg1 1300-1339 / Drive &amp; Differential pg 1

REF #	ITEM #	DESCRIPTION	QTY	REMARK
1	772085	Cover Assembly (Incl. 2 & 73)		
2	780013	Needle Bearing		
2A	780088	Needle Bearing		
3	770058	Case Assembly (Incl. 2 & 2A)		
5	778041	Output Pinion		
6	778036	Output Gear		
13	778198	Bevel Gear (16 teeth-steel)		
14	778197	Bevel Pinion (10 teeth-steel)		
15	778033A	Ring Gear		
16	786027	Drive Block		
17	786019	Drive Pin		
18	786017	Spacer		
24	780039	Thrust Bearing		(NOTE: One (1) washer 780107 can be used interchangeably in place of two (2) 780042 washers and one (1) 780039 thrust bearing in this location only.)
25	792046	Screw, 1/4-20 x 1"		
25	792073A	Screw, 1/4-20 x 1-1/4"		
25	792073A	Screw, 1/4-20 x 1-1/4"		
26	792018	Snap Ring		
29	780001	Washer		
31	780042	Thrust Washer		
31A	780107	Washer		
31B	780042	Thrust Washer		(NOTE: One (1) washer 780107 can be used interchangeably in place of two (2) 780042 washers and one (1) 780039 thrust bearing in this location only.)
36	790027	Brake Disk		
37	790007	Brake Pad Plate		
38	799021	Brake Pad (pkg of 2)		
39	786026	Dowel Pin		
40	792076A	Flat washer		
41	790008A	Brake Lever		
43	792075	Locknut, 5/16-24		
44	790025	Brake Pad Holder		
46	786086	Brake Lever Bracket		
67	776207	Brake Shaft		
73	780089	Needle Bearing		
76	780090	Washer		
79	792144	Brake Spring		
85	792010	Pipe Plug		
87	788008	Oil Seal		
101	774028A	Differential Carrier		
102	774029A	Differential Carrier		
103	792020	Screw, 1/4-20 x 2-1/4"		
104	792006	Lockwasher, 1/4"		
124	788044A	Case-to-Cover Gasket		
124A	788046	Gasket		
132	778037	Idler Gear (30 teeth)		
136	782022A	L.H. Housing & Bushing (Incl. 137)		
137	780054	Bushing		
138	782023A	R.H. Housing & Bushing (Incl. 137)		
180	730229A	Gear Oil SAE 80W90		